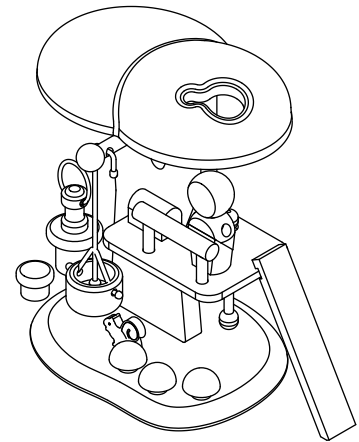
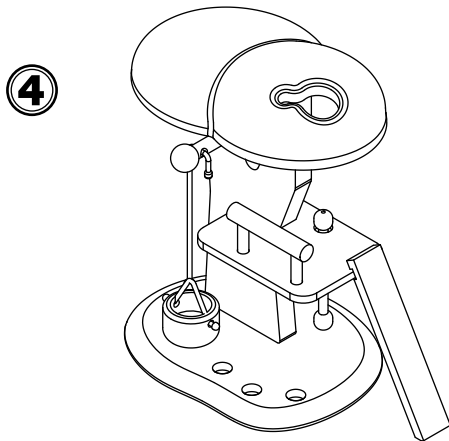
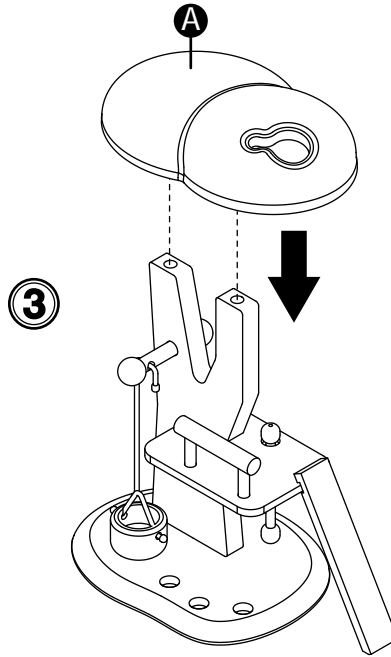
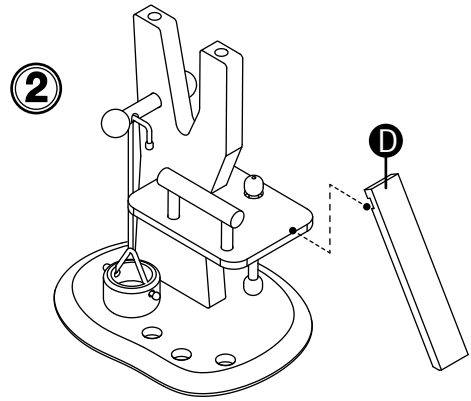
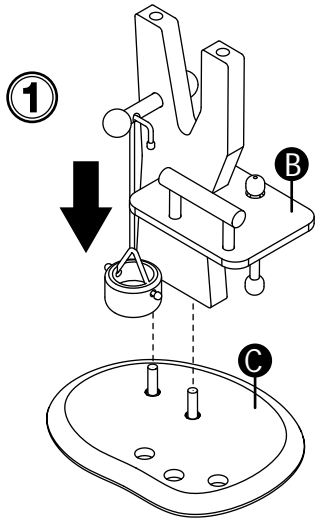


# Instruction

To be assembled by adults only

6626 Tree House



**WARNING:**  
**CHOKING HAZARD**—Small parts  
 Not for children under 3 years.

## Parts List

<b>A</b> x 1	<b>B</b> x 1	<b>C</b> x 1	<b>D</b> x 1	x 1	x 1	x 1
			x 1	x 3	x 1	x 1